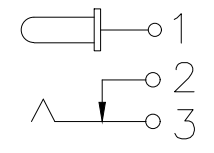
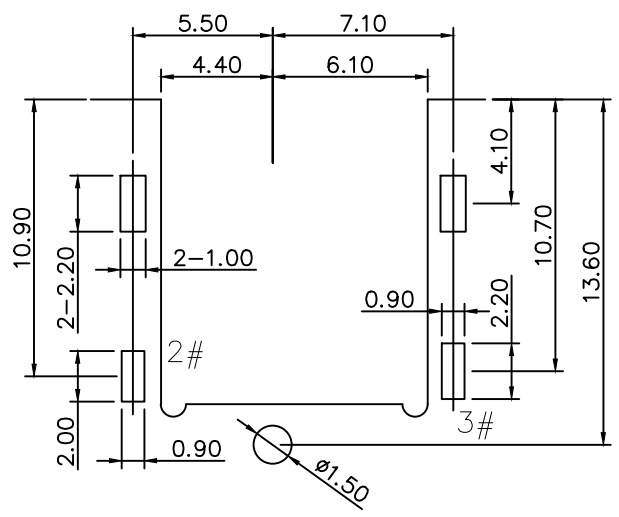
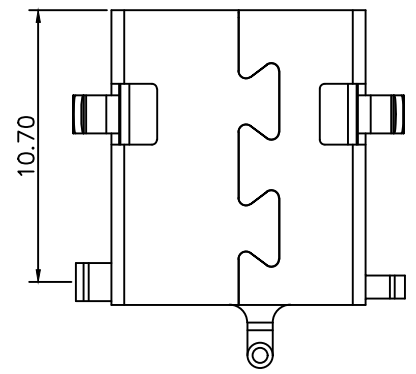
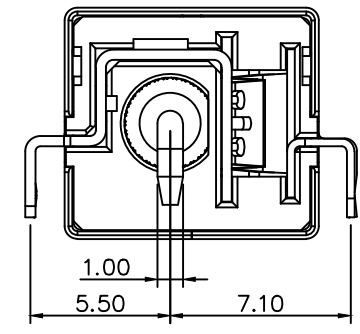
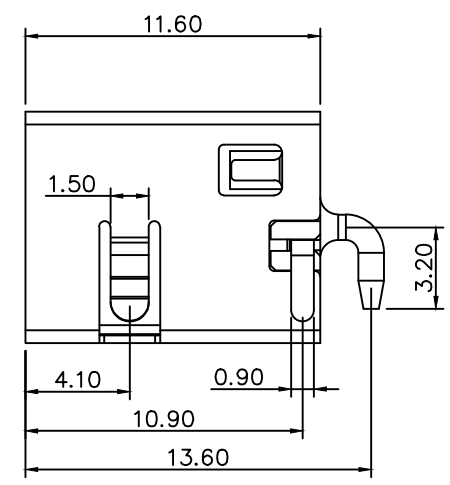
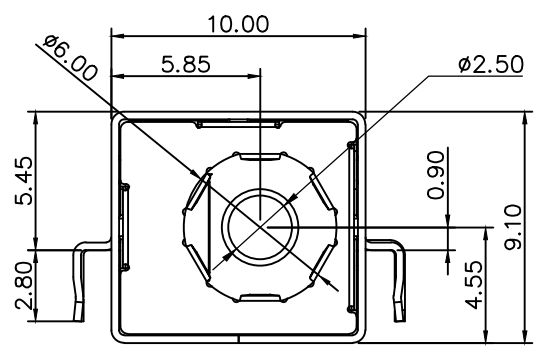
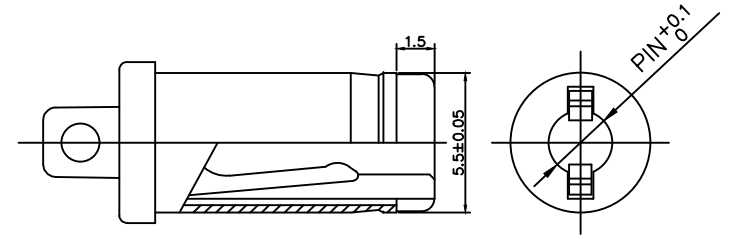


* 所有原料材质, 生产制程, 电镀必须符合ROHS要求



CIRCUIT DIAGRAM



RECOMMENDED PLUG

NO.	DESCRIPTION	QTY	MATERIAL	REMARK
⑥	SHIELDING 2	1	SUS t0.1	NI 50"U MIN
⑤	SHIELDING 1	1	SPCC t0.3	NI 50"U MIN
④	PIN	1	H59	NI 50"U MIN
③	TERMINAL	1	Brass t0.4	NI 50"U MIN
②	SPRING	1	C5191 t0.3	NI 50"U MIN
①	Housing	1	LCP UL94 V-0	BLACK

ELECTRICAL
 RATING: DC 20V 1A
 CONTACT RESISTANCE: 30mΩ MAX
 INSULATION RESISTANCE: 100 MΩ MIN
 DIELECTRIC WITHSTAND VOLTAGE: 500V AC
 OPERATING FORCE: 3-30N
 DURABILITY TEST: 5,000 CYCLES
 TEMPERATRUE RANGE: -25°C TO +70°C
 MATERIALS & PLATING: SEE THE TABLE BELOW

RECOMMENDED PCB LAYOUT
 TOP VIEW TOLERANCE±0.05mm

REVISION NO.	ECR NO.	DESCRIPTION	MARK	DATE
1				
2				
3				

深圳市鑫南天科技有限公司

Shen zhen Shi Xin Nan Tian Industrial Co., Ltd

DIMENSIONS INIT: mm	PRODUCT NAME : DC POWER JACK	DRAWING: COCO	DATE: 2008/12/10
UNLESS OTHERWISE SPECIFIABLE	PRODUCT NO. : XNT-DC0094-2.5	CHECK: JANY	DATE: 2008/12/10
DIMENSION TOLERANCE	DRAWING NO. : NT-003	APPROVED: JEFF	DATE: 2008/12/10
X.X: ± 0.50		SCALE: 1:1	DWG ID: P D
X.XX: ± 0.30		REV.: B	PAGE: 1 of 1
X.XXX: ± 0.20			
ANGULAR: ± 1°			