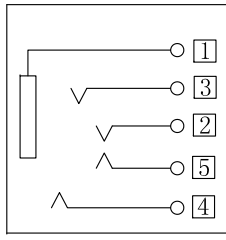
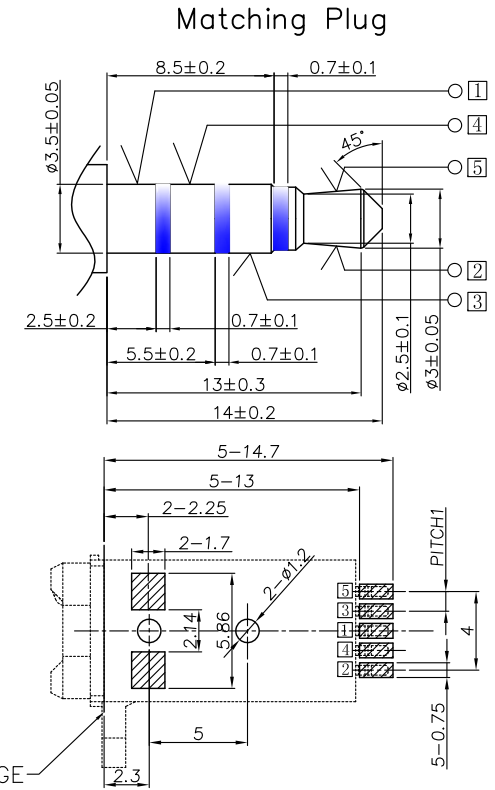
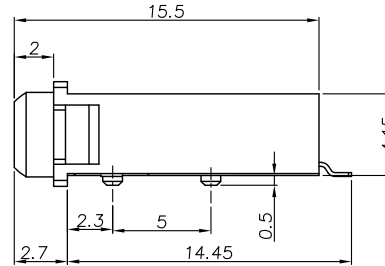
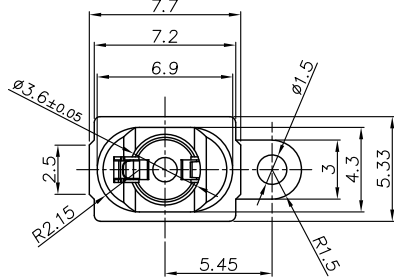
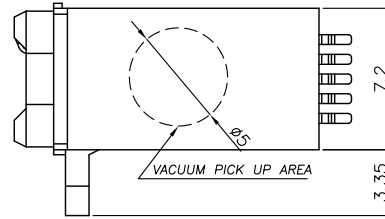
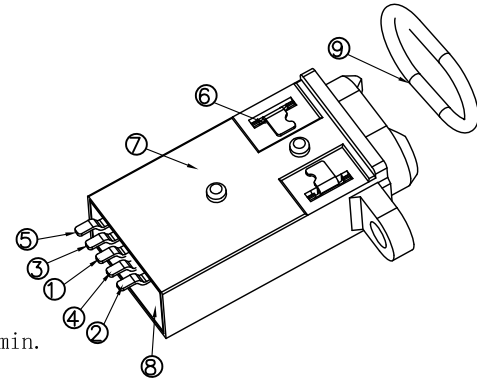


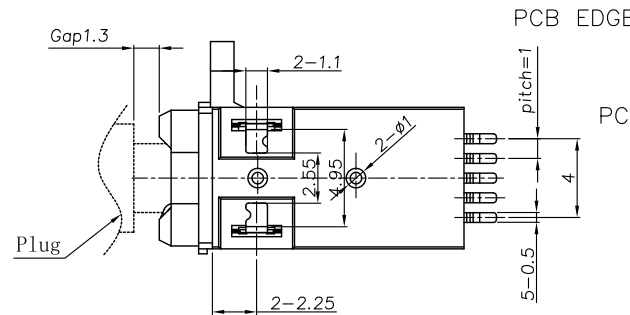
* All Raw Material, Manufacturing, Plating process comply with ROHS

SPECIFICATION:

1. Electrical characteristics
 - 1-1. Current rating: DC 0.5A max.
 - 1-2. Voltage rating: DC 30V.
 - 1-3. Contact resistance: 50mΩ max
 - 1-4. Insulation resistance: 1000MΩ min. at 500V DC.
 - 1-5. Withstanding voltage: 500V AC for 1 minute.
2. Mechanical characteristics
 - 2-1. Life test: 5000 cycles min,
 - 2-2. Mating force: 3~30N, Unmating force: 3~30N.
3. Temperature range: -40° C~+80° C
4. Dustproof and waterproof grade: IP67.



Circuit Diagram



RECOMMENDED P. C. B LAYOUT
TOP VIEW (TOLRANCE: ± 0.05)

9	Rubber ring	1	Silica Gel	White
8	cover	1	HIGH TEMPERATURE PLASTIC	Black
7	Housing	1	HIGH TEMPERATURE PLASTIC	Black
6	Shunt	2	Phosphor bronze, 0.15t	
5	Tip spring	1	Phosphor bronze, 0.20t	1u"Au on Contact Area And Gold Flash On Other Area.
4	Ring spring	1	Phosphor bronze, 0.20t	
3	Ring spring	1	Phosphor bronze, 0.20t	
2	Tip spring	1	Phosphor bronze, 0.20t	
1	Earth spring	1	Phosphor bronze, 0.20t	
NO.	DESCRIPTION	QTY	MATERIAL	REMARK

REVISION NO.	ECR NO.	DESCRIPTION	MARK	DATE
1				
2				
3				

深圳市鑫南天科技有限公司
Shen zhen Xin Nan Tian Technology Co., Ltd

DIMENSIONS UNIT: mm UNLESS OTHERWISE SPECIFIABLE DIMENSION TOLERANCE X.X: ± 0.38 X.XX: ± 0.25 X.XXX: ± 0.10 ANGULAR: ± 1°	PRODUCT NAME : waterproof phone jack DRAWING : COCO DATE: 2017/09/22 PRODUCT NO. : XNT-PJK-1102IP67 CHECK: JANY DATE: 2017/09/22 DRAWING NO. : XNT-1102IP67 APPROVED: JEFF DATE: 2017/09/22	SCALE: 1:1 DWG ID: C D REV.: A PAGE: 1 OF 1
---	---	--