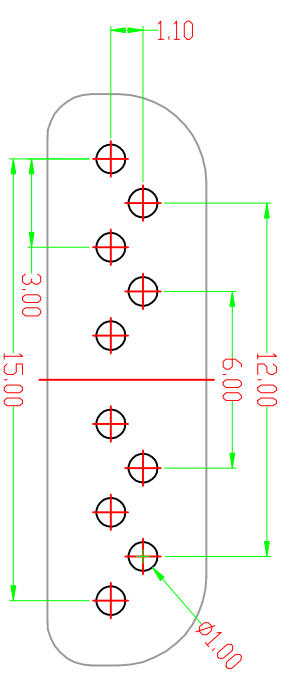
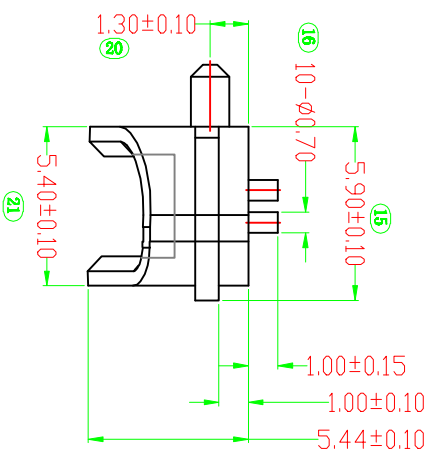
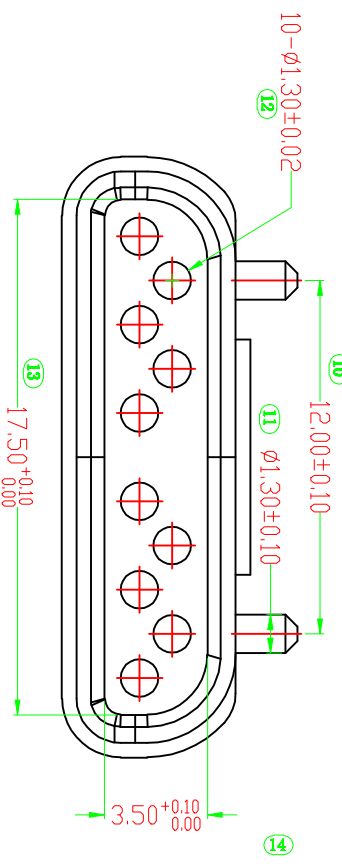
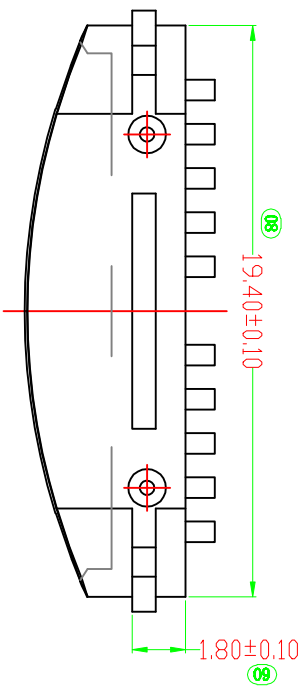
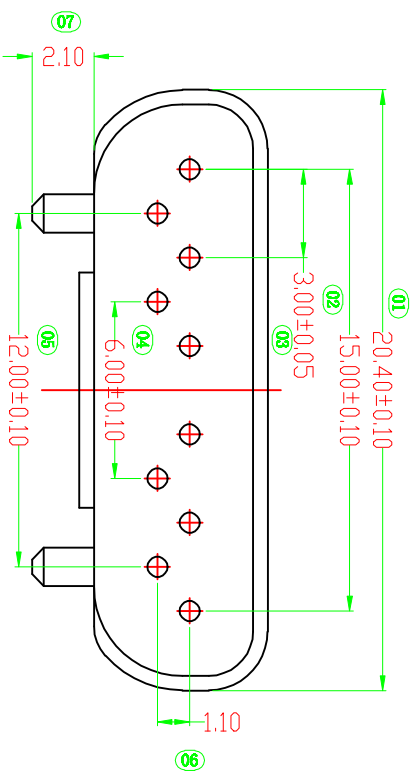


REV/NO	REVISION NOTE	DATE	DRAW	CHECK
A0	RELEASED	16/05/28		



RECOMMENDED PCB LAYOUT
TOLERANCES: ±0.05

REMARKS:

附注:

1. MATERIAL (材料):
1.1 HOUSING (壳体): THERMOPLASTIC (热塑性塑料)
0.05 (颜色): BLACK (黑色).
1.2 CONTACT (接触件): COPPER ALLOY (铜合金).
2. PLATING (镀层):
2.1 CONTACT (接触件):
PLATED GOLD 10" OVER NICKEL AND 500" MIN
镀镍厚面"乳上, 在镀表面镀金
Technical Speciality: 技术特性
Rated Voltage: 额定电压: 50V AC/DC Max
: 50V AC/DC Max
Current Rating (额定电流): 1.0A Max
Insulation Resistance (绝缘电阻): 100MΩ Min
Contact Resistance (接触电阻): 10mΩ Max
Withstand Voltage (耐压): 500V AC/minute
Operating Temperature (工作温度): -25°C ~ +85°C

深圳鑫南天科技有限公司

TITLE: 双排PQDG PIN 10P 母座

DIMENSION UNIT MM		PRD.D. SPEC.	
TOLERANCE UNLESS OTHERWISE SPECIFIED			
X±0.10	X±0.05	PKG. SPEC.	APPR.
X±0.10	X±0.05		CHK.
XXX±0.02	XX±0.1	DRAW.	

REQD.	REV:	SHEET 1/1	SCALE 1:1