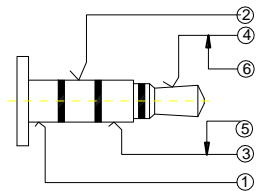
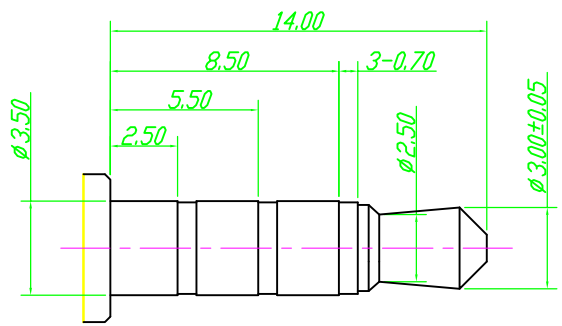
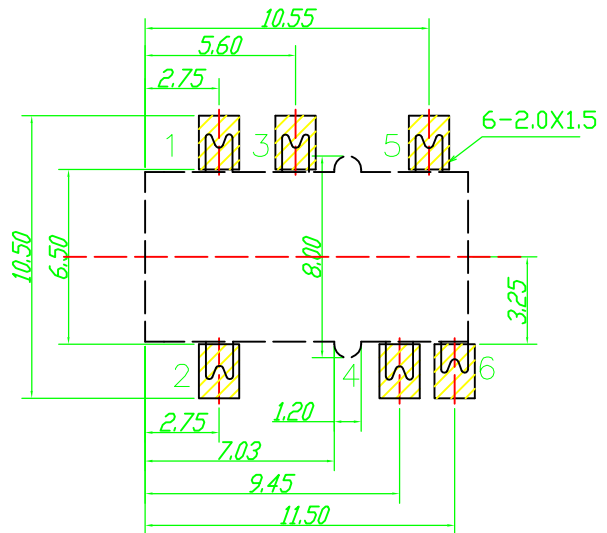
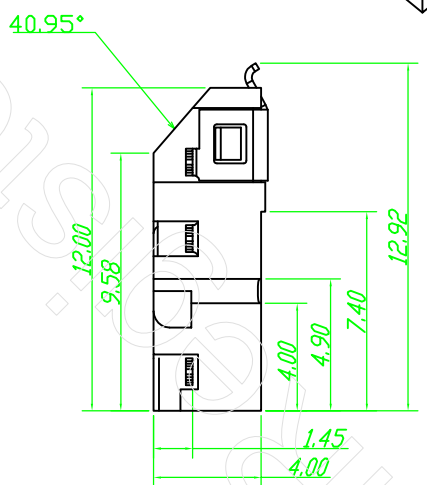
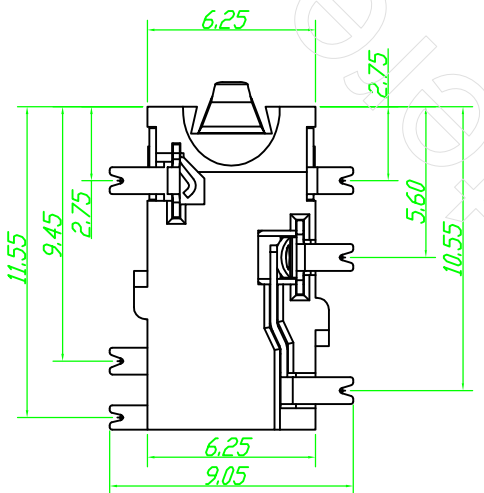
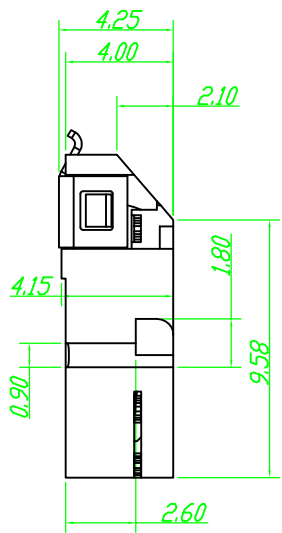
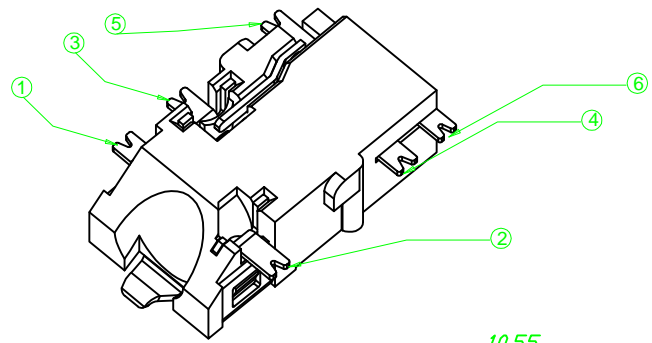
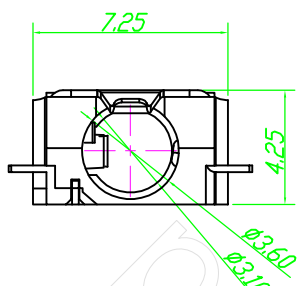


REVISIONS					
REV.	ECN NO.	LOCATION	DESCRIPTION	DATE	DESIGN



($\phi 3.50\text{mm}$ 4 POLE PLUG DETAIL DRAWING)

SCHEMATIC

P.C.B LAYOUT TOP VIEW

深圳市鑫南天科技有限公司

Unless otherwise specified, Tolerance: X. ± 0.30 X.x ± 0.20 X.xx ± 0.15 X.xxx ± 0.10 Angles $\pm 3^\circ$	DESIGN zhang_liang	DATE 2011-09-01	TITLE:		
	CHECKED	DATE	AUD00006PBCRWX		
	APPROVED	DATE	REV.: E	SCALE: 1:1	UNIT: mm
	PART NO. SEE TABLE B		SIZE: A4	SHEET: 1/1	