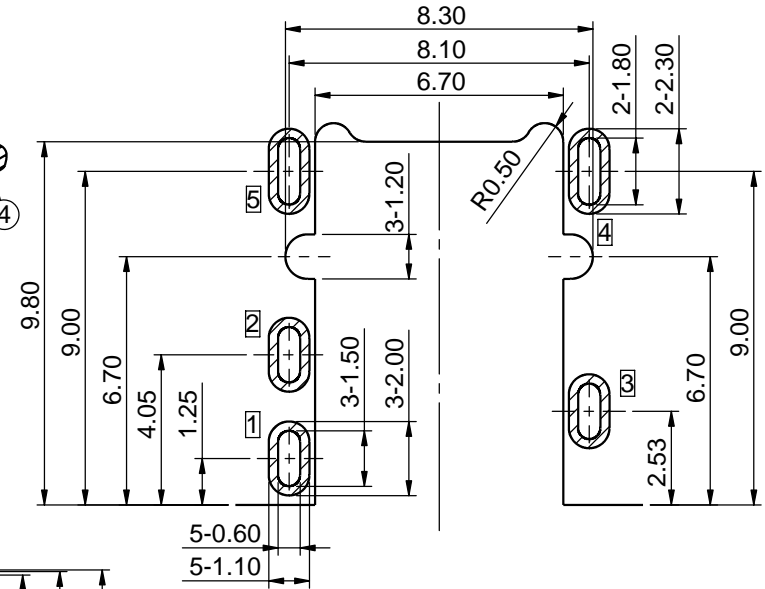
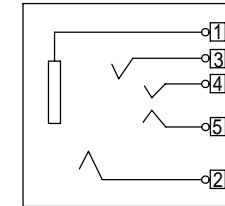


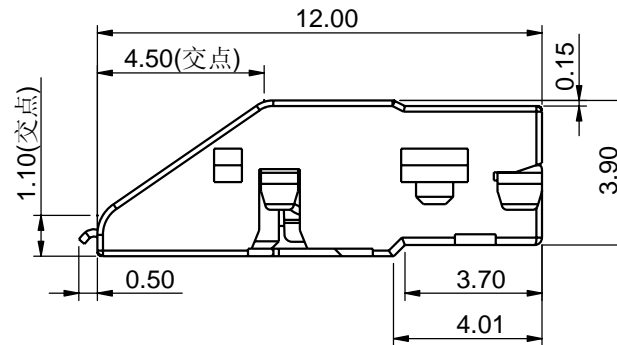
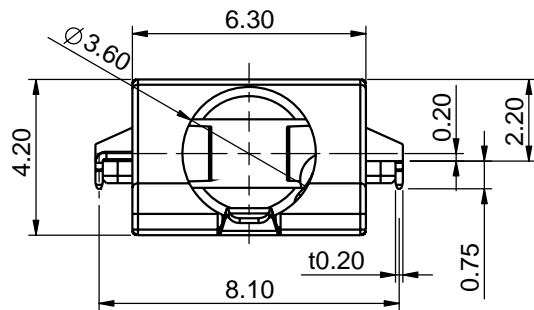
Ø3.50mm 4 POLE PLUG
DETAIL DRAWING(2:1)



RECOMMENDED PCB LAYOUT(TOP VIEW)
(GENERAL TOLERANCE ±0.05)



SCHMATIC



6	TERMINAL 5	COPPER ALLOY		Au PLATED
5	TERMINAL 4	COPPER ALLOY		Au PLATED
4	TERMINAL 3	COPPER ALLOY		Au PLATED
3	TERMINAL 2	COPPER ALLOY		Au PLATED
2	TERMINAL 1	COPPER ALLOY		Au PLATED
1	HOUSING	HIGH TEMP	BLACK	UL 94V-0
NO.	DESCRIPTION	MAT,L	COLOR	REMARK

深圳市鑫南天科技有限公司
Shenzhen XinNanTian Industrial Co., Ltd

CUSTOMER COPY TITLE: Ø3.50mm PHONE JACK CONN.

PART NO.	XNTR05GA5ZL2
PRODUCT SPEC.	XNT-RJZ-0001882
FILE NAME.	XNTR05GA5ZL2-C
SCALE	5:1
UNIT:mm	A4
SHEET:	1 of 1

ECN NO.	REV	DATE	DESCRIPTION	CHANGE	APPRO.	Angle ±2° X ±0.50 .X ±0.30 .XX ±0.15	DESIGN	COCO	06/16/'12
	A	06/16/'12	NEW			GENERAL TOLERANCE UNLESS OTHERWISE NOTED	CHECK	JANY	06/16/'12
							APPRO.	JEFF	06/16/'12