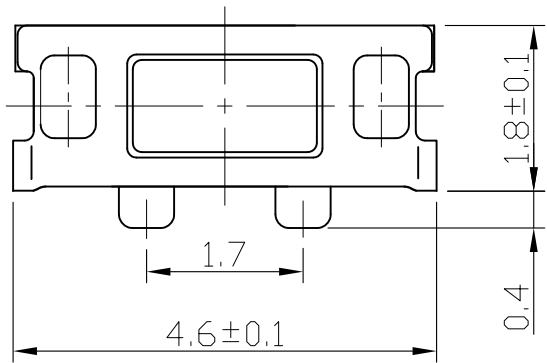
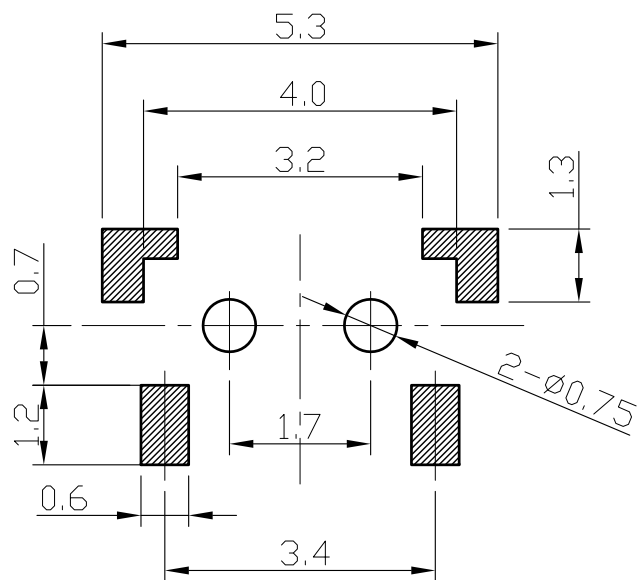


RevNo	Revision note	Date	Signature

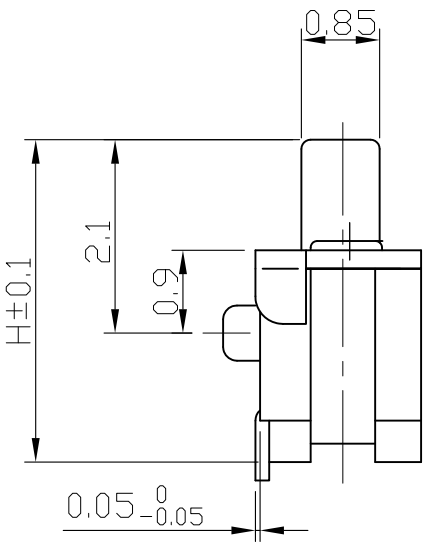
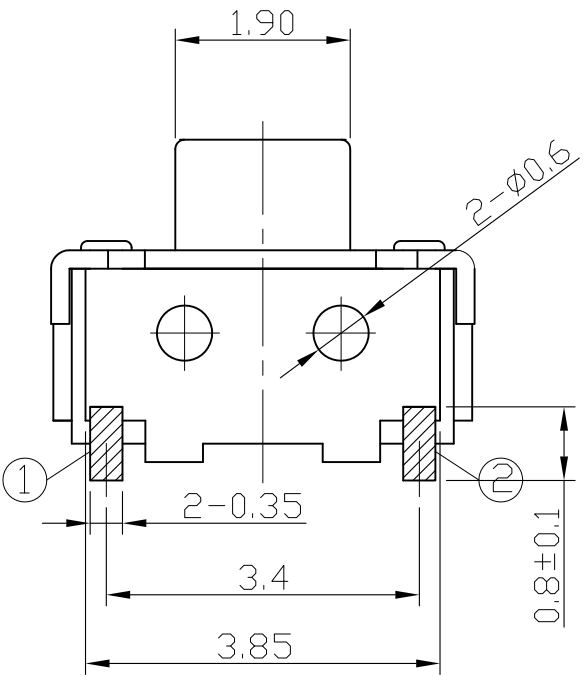


**CIRCUIT DIAGRAM**



**NOTE P.C.B LAND DIMENSION**

- 1. RATING : DC 12V 50mA
- 2. CONTACT RESISTANCE : 100mΩ MAX
- 3. GENERAL TOLERANCE : ±0.2
- 4. MANUFACTURING SPECIFICATION WOULD BE ACCORDANCE WITH WT0158



**REFERENCE DRAWING**

TS-023		3.5 mm	BLACK	BLACK	180±30gf	50,000 Cycles
MODEL NAME	CODE NO.	"H"	STEM COLOR	CASE COLOR	O/FORCE	LIFE

Designed by	L.Y.D			深圳市鑫南天科技有限公司				
Checked by				Shenzhen XinNanTian Technology Co., Ltd				
Approved by		Unit	mm	Scale	1/1	Date	2011.10.14	
Item	Tactile Switch		Tool	A-Cad	Sheet	1/1	Rev.	0
Model	2.3X4.6		Drawing name		XNT-TS-023			