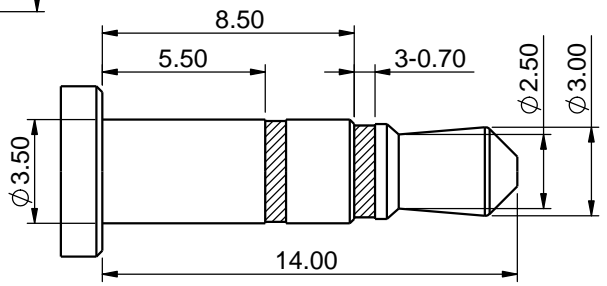
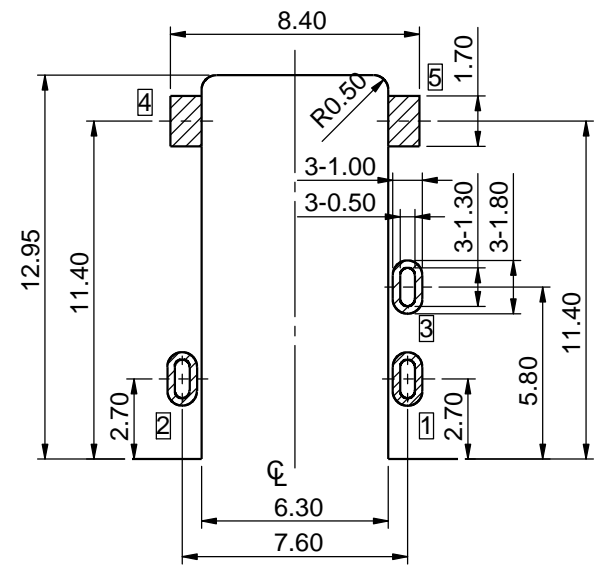
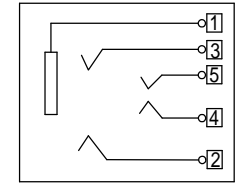
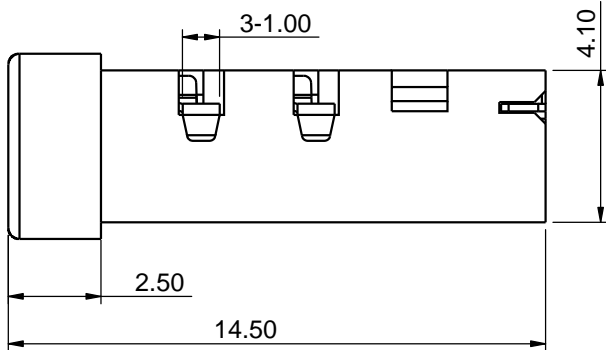
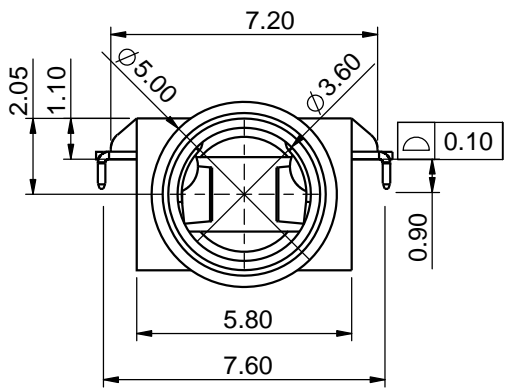


RECOMMENDED PCB LAYOUT(TOP VIEW)
(GENERAL TOLERANCE ±0.05)



($\phi 3.50$ mm 3 POLE PLUG DETAIL DRAWING)



SCHEMATIC

6	HOUSING	HIGH TEMP	BLACK	
5	TERMINAL5	COPPER ALLOY		Ag PLATED
4	TERMINAL4	COPPER ALLOY		Ag PLATED
3	TERMINAL3	COPPER ALLOY		Ag PLATED
2	TERMINAL2	COPPER ALLOY		Ag PLATED
1	TERMINAL1	COPPER ALLOY		Ag PLATED
NO.	DESCRIPTION	MAT.L	COLOR	REMARK

CUSTOMER COPY: **深圳市鑫南天科技有限公司**

TITLE: $\phi 3.50$ mm PHONE JACK CONN.

PART NO. XNTJ351T05Y27ZL2 (J351-7)

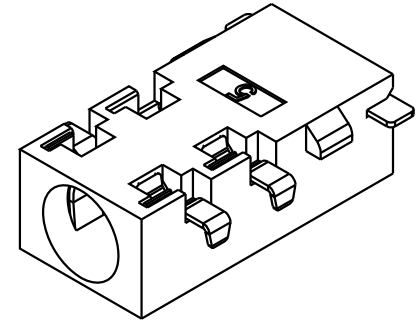
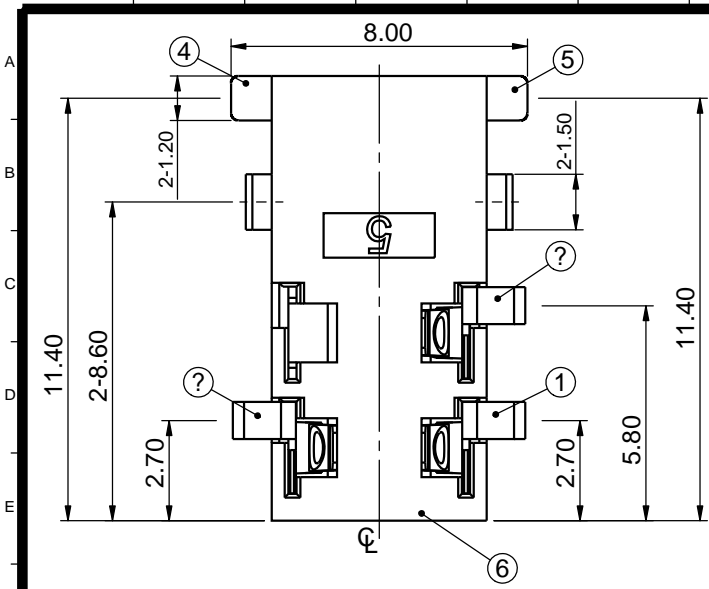
PRODUCT SPEC. XNT-RJZ-0001863

FILE NAME. XNTJ351T05Y27ZL2

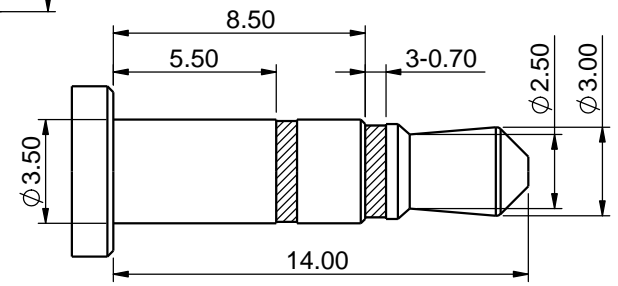
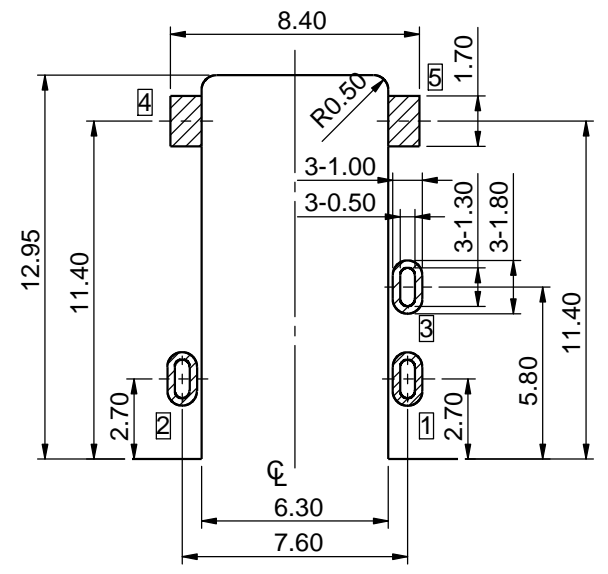
SCALE 5:1 UNIT:mm A4 SHEET: 1 of 2

						Angle $\pm 2^\circ$	DESIGN	COCO	02/21/13
						X ± 0.35	CHECK	JANY	02/21/13
						.X ± 0.25	APPRO.	JEFF	02/21/13
						.XX ± 0.20			
ECN NO.	REV	DATE	DESCRIPTION	CHANGE	APPRO.	GENERAL TOLERANCE UNLESS OTHERWISE NOTED	APPRO.	JEFF	02/21/13

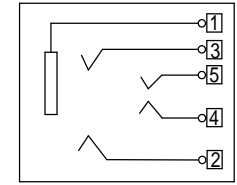
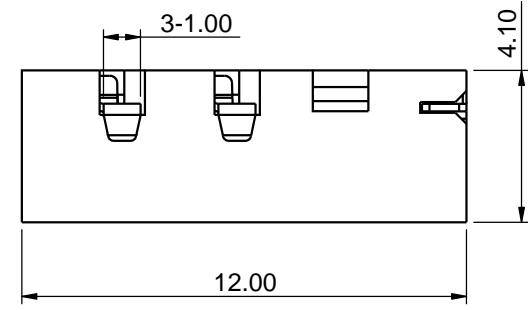
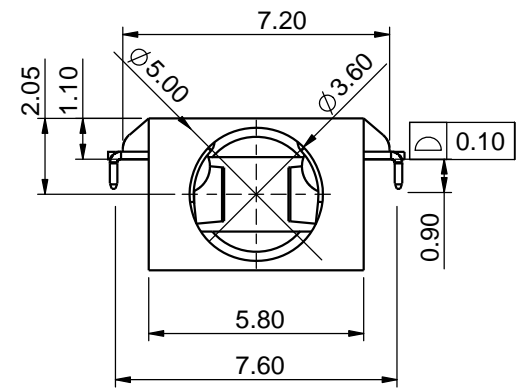
A
B
C
D
E
F
G
H
I
J
K
L
M



RECOMMENDED PCB LAYOUT(TOP VIEW)
(GENERAL TOLERANCE ±0.05)



($\phi 3.50$ mm 3 POLE PLUG DETAIL DRAWING)



SCHEMATIC

6	HOUSING	HIGH TEMP	BLACK	
5	TERMINAL5	COPPER ALLOY		Ag PLATED
4	TERMINAL4	COPPER ALLOY		Ag PLATED
3	TERMINAL3	COPPER ALLOY		Ag PLATED
2	TERMINAL2	COPPER ALLOY		Ag PLATED
1	TERMINAL1	COPPER ALLOY		Ag PLATED
NO.	DESCRIPTION	MAT.L	COLOR	REMARK

CUSTOMER COPY **JHEC**

TITLE: $\phi 3.50$ mm PHONE JACK CONN.

PART NO. J351-T05Y2-8ZL2(速记码: J351-8)

PRODUCT SPEC. JH-RD-W06

FILE NAME. J351-T05Y2-8ZL2-C

SCALE 5:1 UNIT:mm A4 SHEET: 1 of 2

						Angle $\pm 2^\circ$	DESIGN	彭志况	02/21/13
						X ± 0.35	CHECK	谭艳斌	02/21/13
						.X ± 0.25	APPRO.	罗志兵	02/21/13
						.XX ± 0.20			
ECN NO.	REV	DATE	DESCRIPTION	CHANGE	APPRO.	GENERAL TOLERANCE UNLESS OTHERWISE NOTED	APPRO.		
	A	02/21/13	NEW						