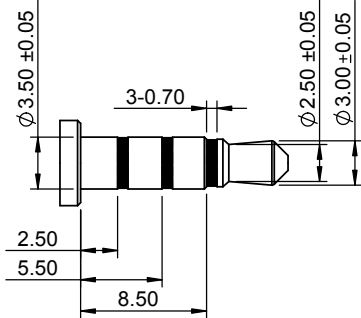
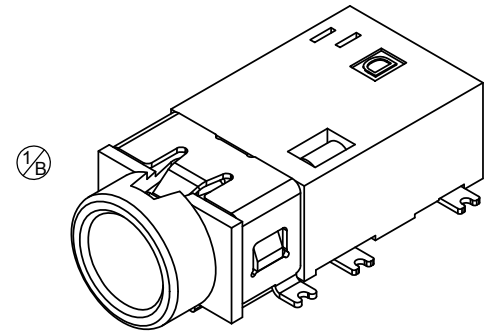
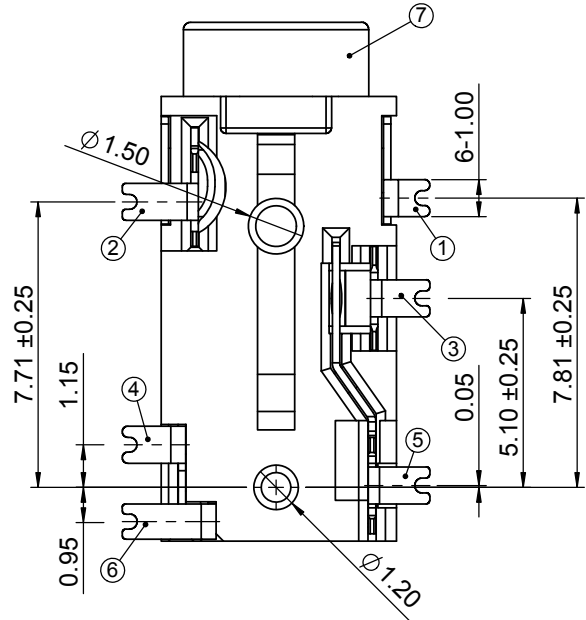
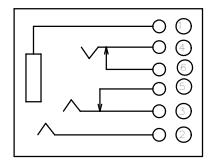


RECOMMENDED PCB LAYOUT(TOP VIEW)
(GENERAL TOLERANCE ±0.05)

- NOTES:
 1. CONTACT CURRENT RATING: 1A.
 2. CONTACT RESISTANCE: 50 mΩ MAX.;
 3. INSULATION RESISTANCE: 100MΩ MIN.;
 4. DIELECTRIC WITHSTANDING: 500V AC MIN.;
 5. DURABILITY: 5,000 CYCLES MIN.;
 6. CONNECTOR MATING FORCES:
 29.4N (3.00Kgf) MAX.;
 2.94N(0.30Kgf) MIN.;



Ø 3.50mm 4 POLE PLUG
DETAIL DRAWING(2:1)



SCHEMATIC

7	HOUSING	HIGH TEMP	BLACK	
6	TERMINAL 6	COPPER ALLOY		Au PLATED
5	TERMINAL 5	COPPER ALLOY		Au PLATED
4	TERMINAL 4	COPPER ALLOY		Au PLATED
3	TERMINAL 3	COPPER ALLOY		Au PLATED
2	TERMINAL 2	COPPER ALLOY		Au PLATED
1	TERMINAL 1	COPPER ALLOY		Au PLATED
NO.	DESCRIPTION	MAT,L	COLOR	REMARK

深圳市鑫南天科技有限公司

CUSTOMER COPY TITLE: Ø3.50 mm PHONE JACK CONNECTOR

PART NO.	XNTJ303-B06G1-BZL2 (J303-B)
PRODUCT SPEC.	XNT-RJZ-0001861
FILE NAME.	XNTJ303-B06G1-BZL2-C
SCALE	5:1
UNIT	mm
SHEET	1 of 2

2012-050	B	11/19/12	B1:1号脚端子设变结构			Angle ±2°	DESIGN	COCO	11/19/12
	A	07/09/12	新版发行			X ±0.35	CHECK	COCO	11/19/12
						.X ±0.25	APPRO.	JEFF	11/19/12
						.XX ±0.20			
ECN NO.	REV	DATE	DESCRIPTION	CHANGE	APPRO.	GENERAL TOLERANCE UNLESS OTHERWISE NOTED			